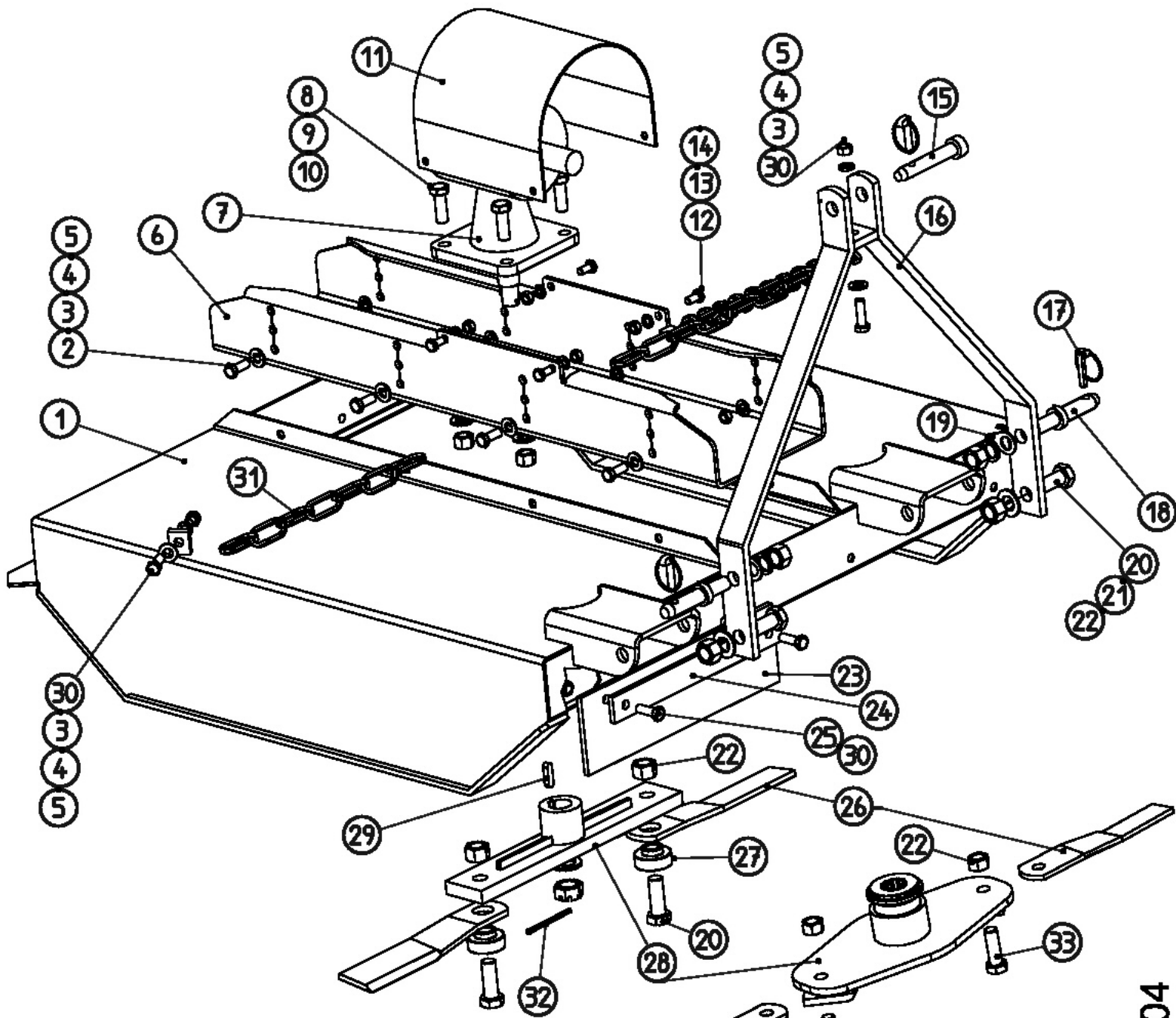


GC

GCD



MAJAR

GC90-105-120

GIROBROYEUR
GCD90-105-120-150

09-2004

33	2	Vis HM20x60/36 classe 10-9				9961946	9961946	9961946	9961946
32	1	Goupille	9907019	9907019	9907019	9907019	9907019	9907019	9907019
31	1	Chaine	080542	080542	080542	080542	080542	080542	080542
30	3	Vis H12x40/30	9962083	9962083	9962083	9962083	9962083	9962083	9962083
29	1	Clavette 10x8x36	082551	082551	082551				
28	1	Support lame	582165	582171	582171	081808	582222	582222	081902
27	2	Bague	185199	185199	185199				
26	2	Lame	185213	185213	185214	083305	083305	083302	083385
25	3	Ecrou frein H12	9900542	9900542	9900542	9900542	9900542	9900542	9900542
24	1	Plat de bavette	185200	185201	185202	185200	185201	185202	185332
23	1	Bavette	185216	185217	185218	185216	185217	185218	185331
22	4	Ecrou frein H20	9900550	9900550	9900550	9900550	9900550	9900550	9900550
21	2	Rondelle MN20	9908020	9908020	9908020	9908020	9908020	9908020	9908020
20	4	Vis H20x55/55	9962057	9962057	9962057	9962057	9962057	9962057	9962057
19	2	Patte BI	185019	185019	185019	185019	185019	185019	185019
18	2	Axe BI complet	080307	080307	080307	080307	080307	080307	080307
17	2	Goupille et lien Ø10	075568	075568	075568	075568	075568	075568	075568
16	1	Potence	081051	081051	081051	081051	081051	081051	081051
15	1	Axe sup. complet	144101	144101	144101	144101	144101	144101	144101
14	4	Ecrou H10	9900210	9900210	9900210	9900210	9900210	9900210	9900210
13	4	Rondelle W10	9908074	9908074	9908074	9908074	9908074	9908074	9908074
12	4	Vis H10x25	9962011	9962011	9962011	9962011	9962011	9962011	9962011
11	1	Bol GC	185210	185210	185210	185298	185298	185298	185298
10	4	Ecrou Frein H16	9900546	9900546	9900546	9900546	9900546	9900546	9900546
9	4	Rondelle W16	9908068	9908068	9908068	9908068	9908068	9908068	9908068
8	4	Vis M16x45/26	9962048	9962048	9962048	9962048	9962048	9962048	9962048
7	1	Renvoi d'angle	082572	082572	082572	081163	081163	081163	081163
6	1	Partie centrale	185180	185241	185241	582206	582206	582206	582206
5	11	Ecrou M12	9900215	9900215	9900215	9900215	9900215	9900215	9900215
4	11	Rondelle W12	9908069	9908069	9908069	9908069	9908069	9908069	9908069
3	11	Rondelle MN12	9908012	9908012	9908012	9908012	9908012	9908012	9908012
2	8	Vis H12x30/30	9962017	9962017	9962017	9962017	9962017	9962017	9962017
1	1	BATI	582162	582163	582164	582162	582163	582164	582223
REP.	NB.	DESIGNATION	GC90	GC105	GC120	GCD90	GCD105	GCD120	GCD150

MAJAR

GIROBROYEUR

GC90-105-120

GCD90-105-120-150

09-2004